

BUNN®

12 Cup Pourover Coffee Brewer with 3 Warmers

ITEM#

PROJECT

DATE



Model VPS

(decanter not included)

Dimensions: 19.8" H x 23.5" W x 8" D
(50.1cm H x 59.7cm W x 20.3cm D)

Features

12 Cup Pourover Coffee Brewer

- Brews 3.8 gallons (14.4 litres) of perfect coffee per hour.
- Pourover brewer requires no plumbing – completely portable.
- Black decor.
- Just pour cold water in top and coffee brews immediately.
- Three separately controlled warmers.
- SplashGard® funnel deflects hot liquids away from the hand.

For current specification sheets and other information, go to www.bunn.com.

Related Products

Paper Filter Pack

Product No. : 20115.0000

Packed per case: 1,000

Dimensions: 4¼" Base x 2¾" Sidewall

10.8 cm Base x 6.98 cm Sidewall



WX1-warmer

Product No. : 06450.0004

One position warmer



WX2-warmer

Product No. : 06310.0004

Two position warmer



Easy Pour® black decanter

Product No. : 06100.0101

Quantity: 1 (also packaged in quantities of 2, 3, 6, 12, & 24)



Easy Pour® orange decanter (for decaf)

Product No. : 06101.0101

Quantity: 1 (also packaged in quantities of 2, 3, 6, 12, & 24)



Model

Agency Listing

VPS



E9001.0050B

Patents Apply

3/06

A5.2

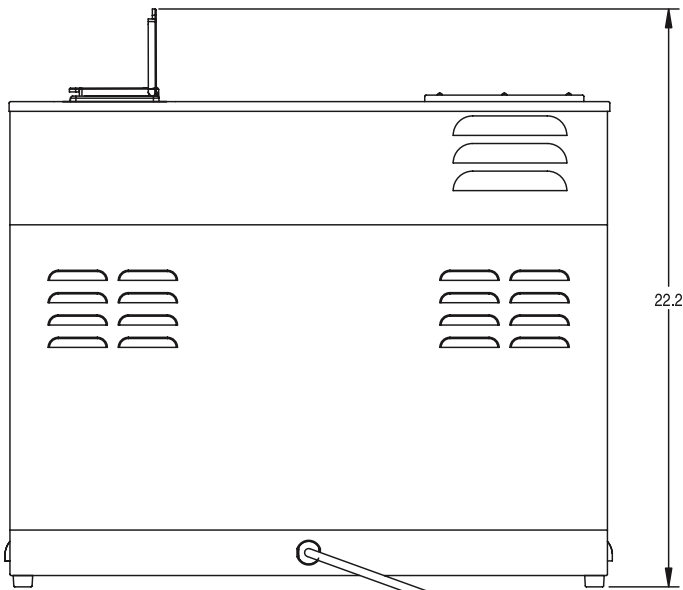
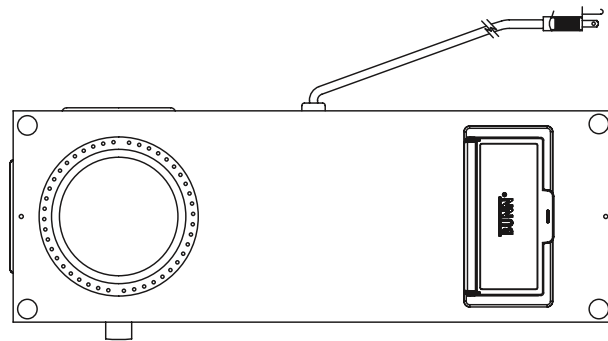
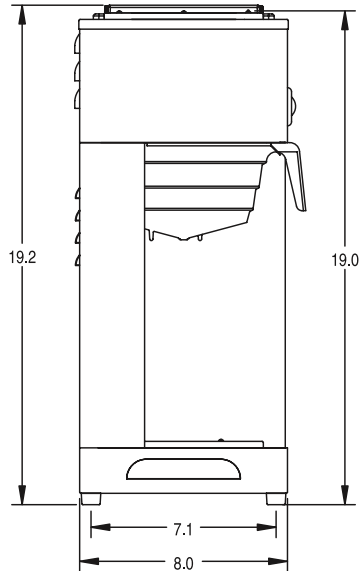
Dimensions & Specifications

Model	Product #	Volts	Amps	Tank Heater Watts	Total Watts	Brewing Capacity	Cu. Ft.	Shipping Weight	Cord Attached
VPS Black	04275.0031	120	13.9	1320	1660	3.8 gal./hr.	4.1	26 lbs.	Yes*

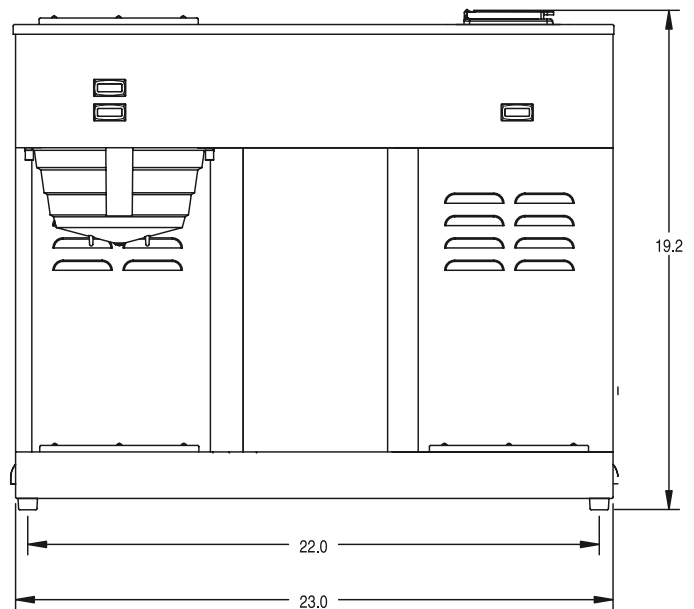
*Power cord (NEMA 5-15P) 15 Amp-120V machine only.

Brewing capacity: based upon incoming water temp of 60°F (140°F rise) per 1/2 gallon brew time of 4 minutes.

Electrical: Models require 2-wires plus grounded service rated 120V, single phase, 60 Hz.



POWER CORD STD
ON ALL 120V MACHINE



BUNN Corporation - 1400 Stevenson Drive Springfield, Illinois 62703 • 800-637-8606 • 217-529-6601 • Fax 217-529-6644 • www.bunn.com

BUNN® practices continuous product research and improvement. We reserve the right to change specifications and product design without notice. Such revisions do not entitle the buyer to corresponding changes, improvements, additions or replacements for previously purchased equipment.

All dimensions shown in inches. Bunn Corporation owns all copyrights relating to materials in this publication. Please contact Bunn Corporation to request permission to reproduce any portion of this publication.